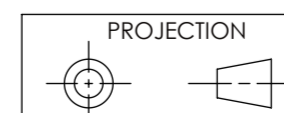
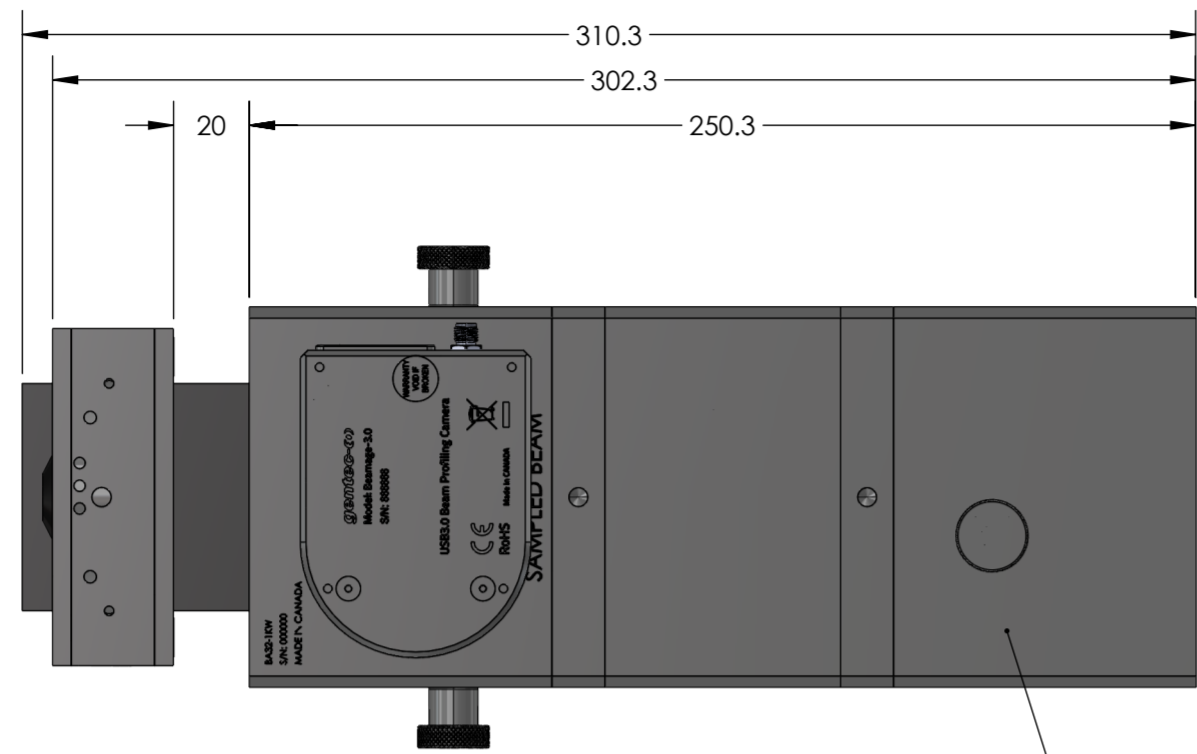


NOTES:
 1. DIMENSIONS IN mm.
 2. 10mm PUSH TO CONNECT TUBE FITTING

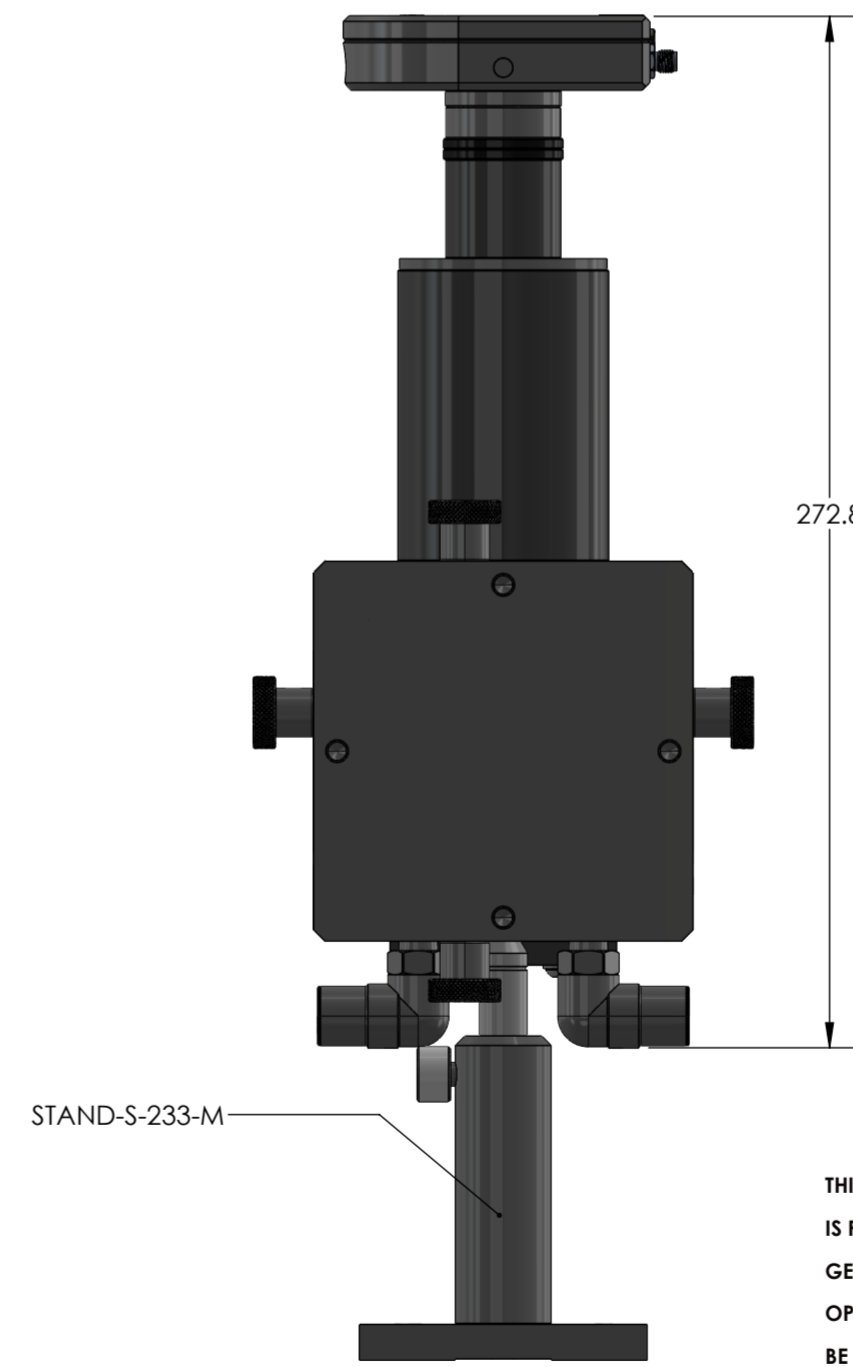
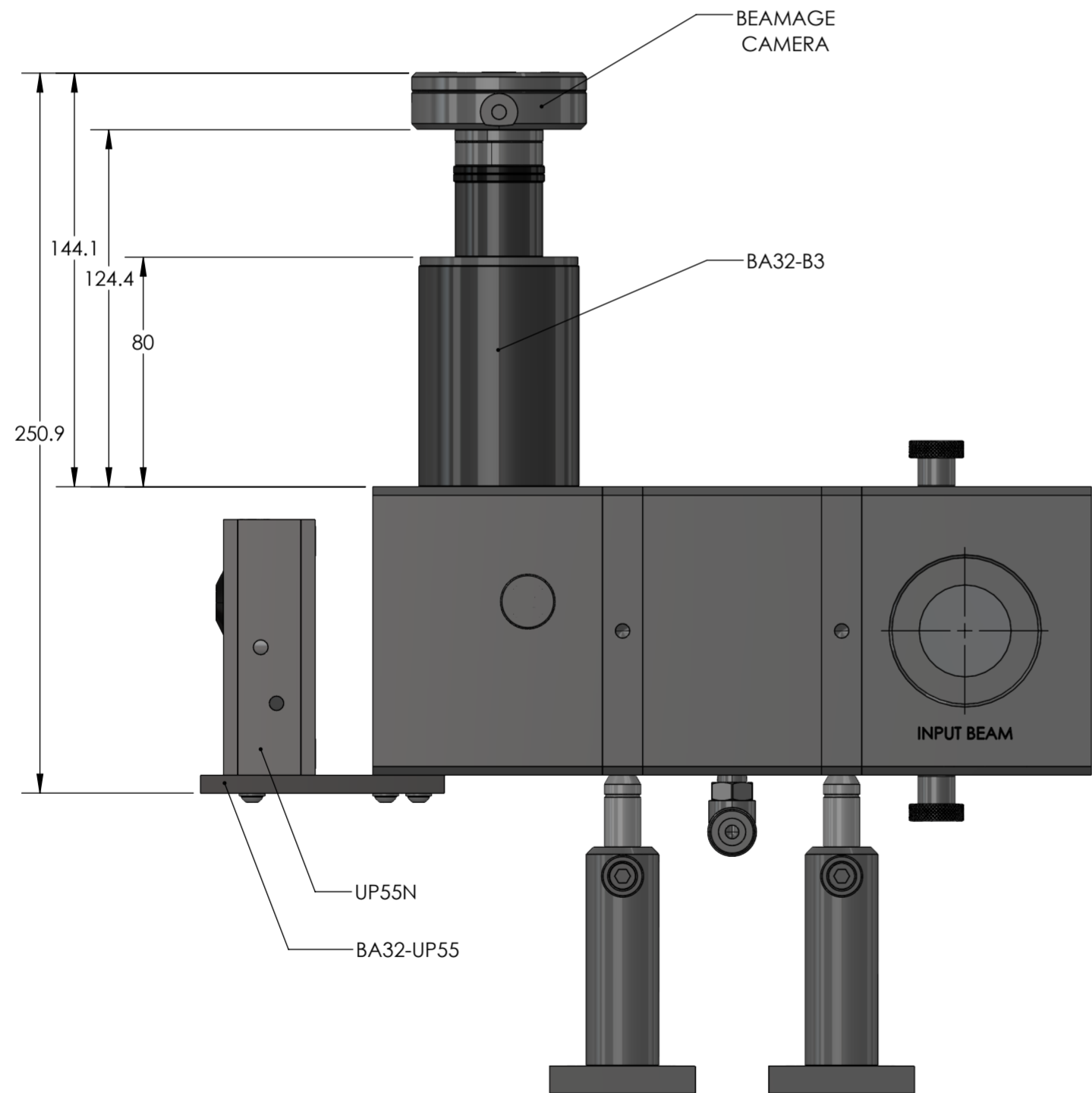
IMPORTANT:
 THIS DOCUMENT
 IS PROPERTY OF
 GENTEC ELECTRO-
 OPTICS, IT CANNOT
 BE DISTRIBUTED, USED
 OR REPRODUCED IN
 WHOLE OR IN PART
 WITHOUT EXPRESS
 WRITTEN AUTHORIZATION



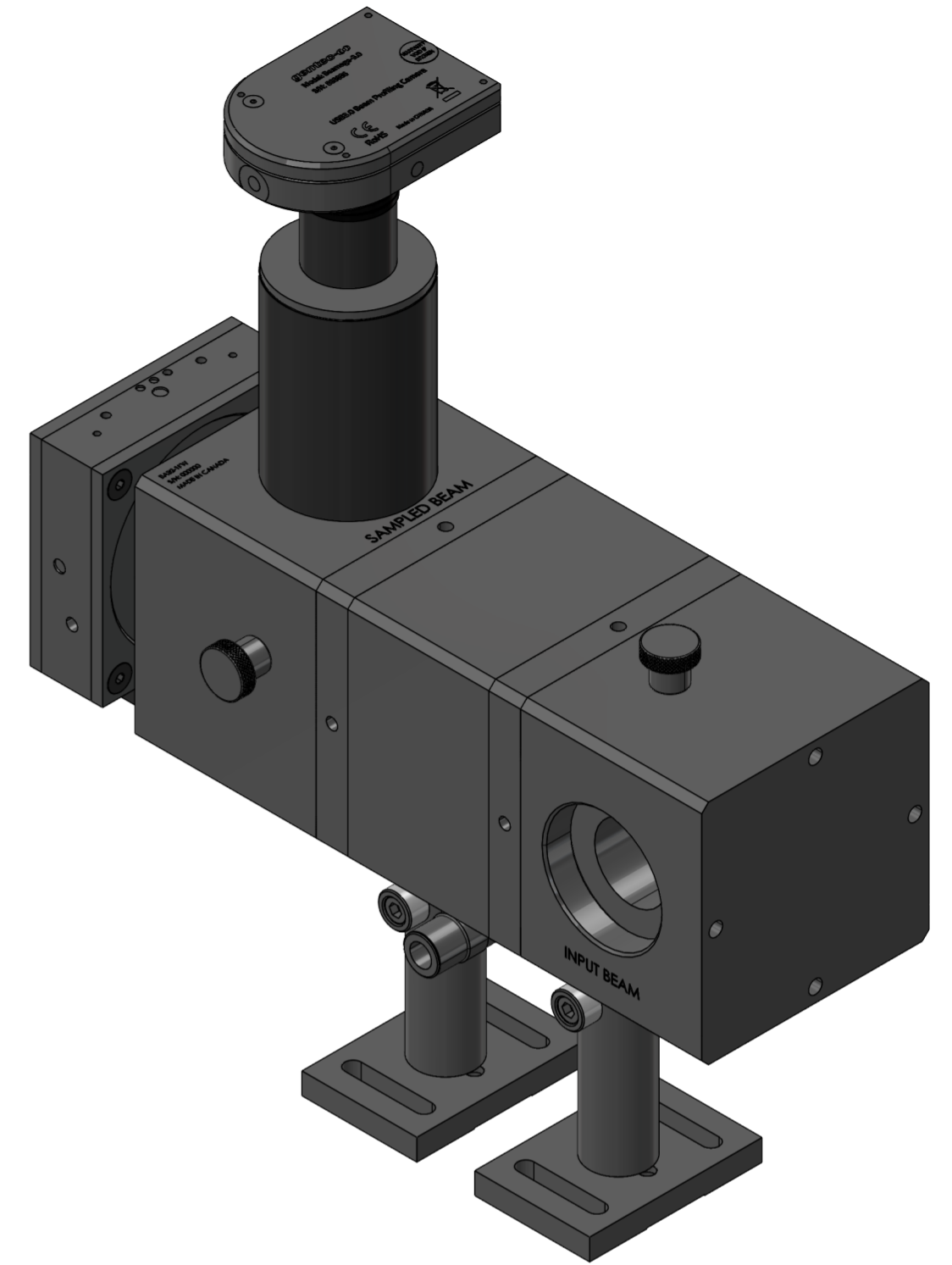
A	ADD BA32 ACCESSORIES	2024-12-06	ST		
REF.	REVISION	DATE	VER	APP	
TOLERANCE					
DEC.	±				
FRAC.	±				
ANGLE	±				
APP.		LAYOUT DRAWING BA32-1KW WITH ACCESSORIES BA SERIES			
VER.					
	R.LABERGE	SK-10093			
DATE	2020-05-22				
	1:2	A2		P1 OF 3	



HIGH POWER ATTENUATOR
BA32

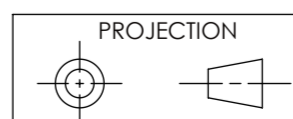


STAND-S-233-M

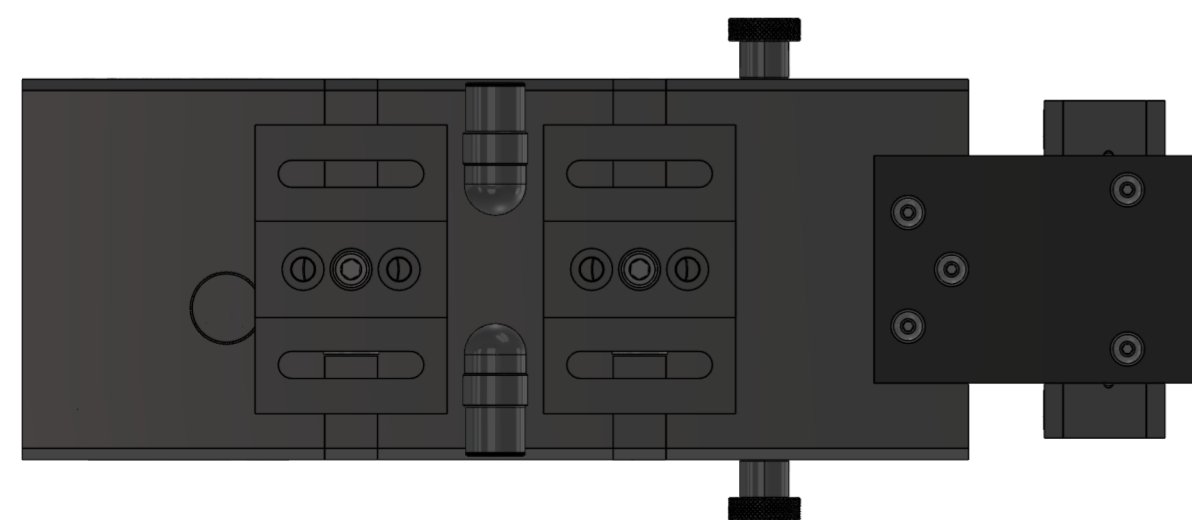
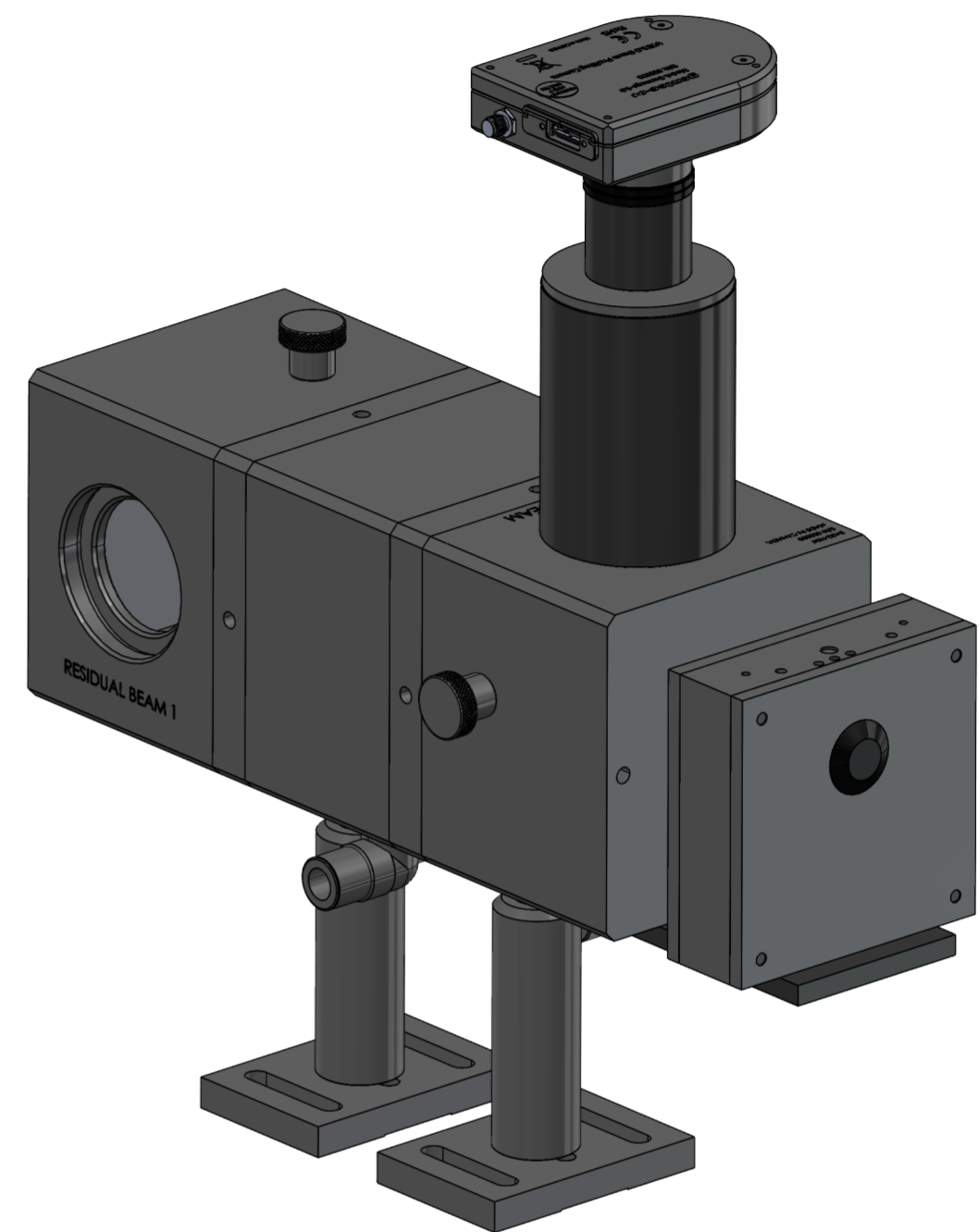
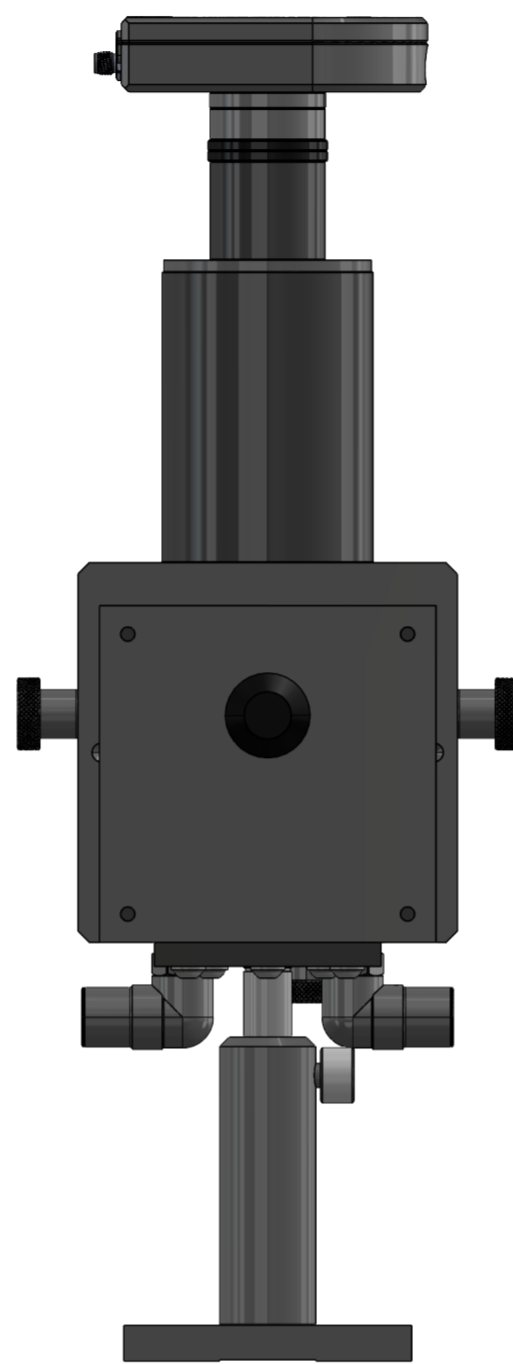
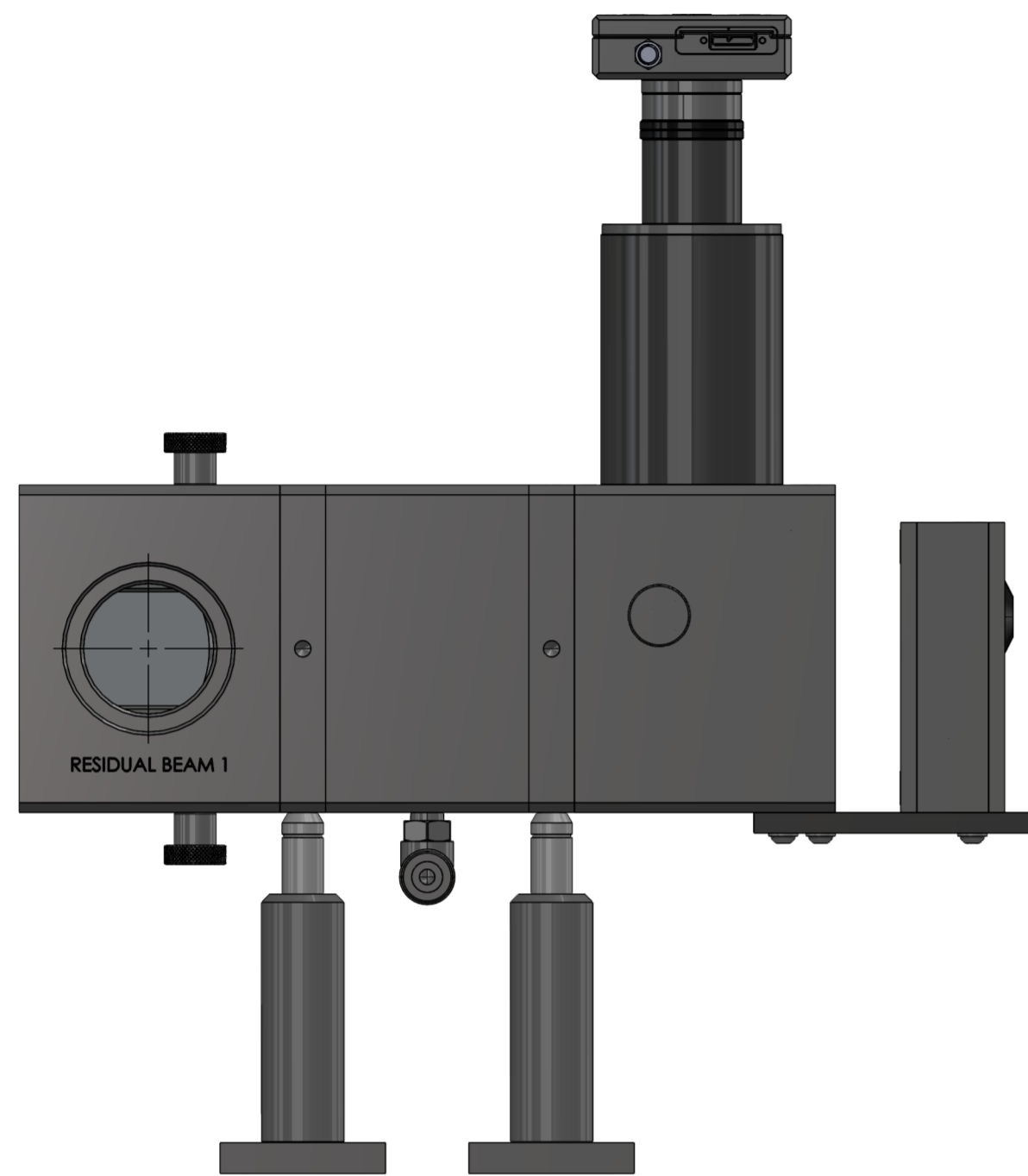


NOTES:
1. DIMENSIONS IN mm.
2. 10mm PUSH TO CONNECT TUBE FITTING

IMPORTANT:
THIS DOCUMENT
IS PROPERTY OF
GENTEC ELECTRO-
OPTICS, IT CANNOT
BE DISTRIBUTED, USED
OR REPRODUCED IN
WHOLE OR IN PART
WITHOUT EXPRESS
WRITTEN AUTHORIZATION

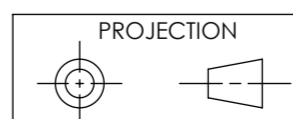


A	ADD BA32 ACCESSORIES	2024-12-06	ST		
REF.	REVISION	DATE	VER	APP	
TOLERANCE		<p>LAYOUT DRAWING BA32-1KW WITH ACCESSORIES BA SERIES</p>			
DEC.	±				
FRAC.	±				
ANGLE	±				
APP.					
VER.					
S.THIVIERGE					
DATE	2024-11-29				
	1:2	SK-10093		A2	
		P2 OF 3			



NOTES:
 1. DIMENSIONS IN mm.
 2. 10mm PUSH TO CONNECT TUBE FITTING

IMPORTANT:
 THIS DOCUMENT
 IS PROPERTY OF
 GENTEC ELECTRO-
 OPTICS, IT CANNOT
 BE DISTRIBUTED, USED
 OR REPRODUCED IN
 WHOLE OR IN PART
 WITHOUT EXPRESS
 WRITTEN AUTHORIZATION



A	ADD BA32 ACCESSORIES	2024-12-06	ST		
REF.	REVISION	DATE	VER	APP	
TOLERANCE					
DEC.	±				
FRAC.	±				
ANGLE	±				
APP.		LAYOUT DRAWING BA32-1KW WITH ACCESSORIES BA SERIES			
VER.					
DATE	2024-11-29				
PROJECTION		DATE	2024-11-29	SK-10093	
		1:2		P3 OF 3	A2