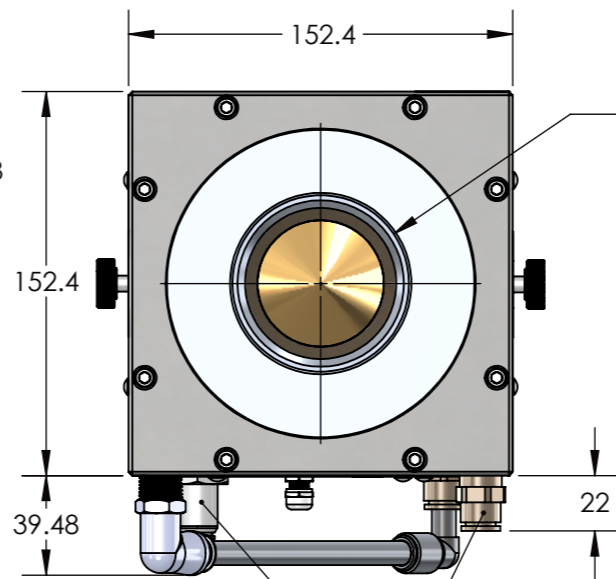
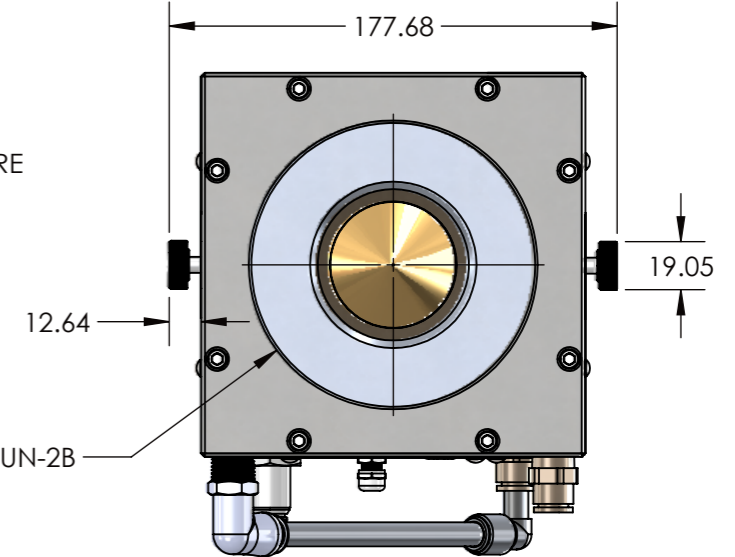


6X Ø 5.11 ∇ 11.5
1/4-20 UNC - 2B ∇ 10
NOTE 2

Ø 5.11 ∇ 10
1/4-20 UNC - 2B ∇ 8
NOTE 3

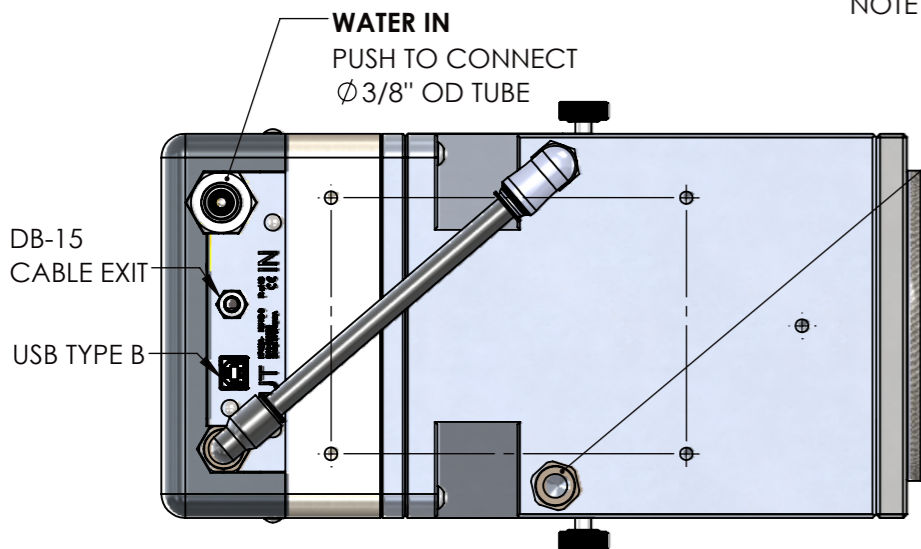


Ø 70
REMOVABLE
OPTICAL APERTURE



FRONT VIEW: OPTICAL APERTURE REMOVED *ML* 2021-01-13
ST 2021/01/11

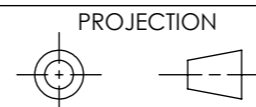
PUSH TO CONNECT FITTING
FOR Ø 0.375" [9.53mm] OD TUBING



WATER OUT
PUSH TO CONNECT
Ø 3/8" OD TUBE

- NOTES:
1. DIMENSIONS IN mm.
 2. HOLE PATTERN ON BOTH SIDES VIEW AND BOTTOM VIEW
 3. HOLE PATTERN ON ALL SIDES OF THE EXTENSION TUBE
 4. SLIDING DOOR ON BOTH SIDES

IMPORTANT:
THIS DOCUMENT
IS PROPERTY OF
GENTEC ELECTRO-
OPTICS, IT CANNOT
BE DISTRIBUTED, USED
OR REPRODUCED IN
WHOLE OR IN PART
WITHOUT EXPRESS
WRITTEN AUTHORIZATION



REF.	REVISION	DATE	VER	APP
TOLERANCE				
DEC.	±			
FRAC.	±			
ANGLE	±			
APP.	RP			
VER.	RL			
	S.THIVIERGE			
DATE	2021/01/06			
	1:3			
gentec-eo				
LAYOUT DRAWING HP60A-15KW-GD-TUBE-D0 HP SERIES				
SK-10154				A3