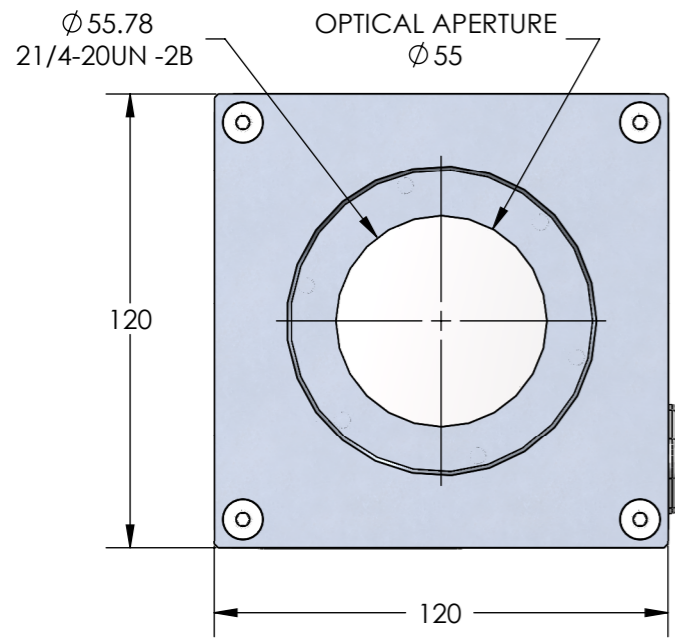
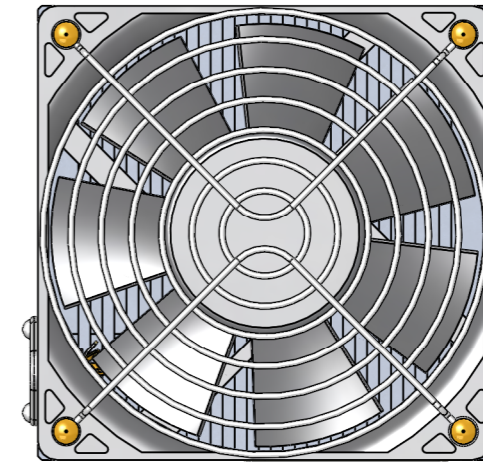
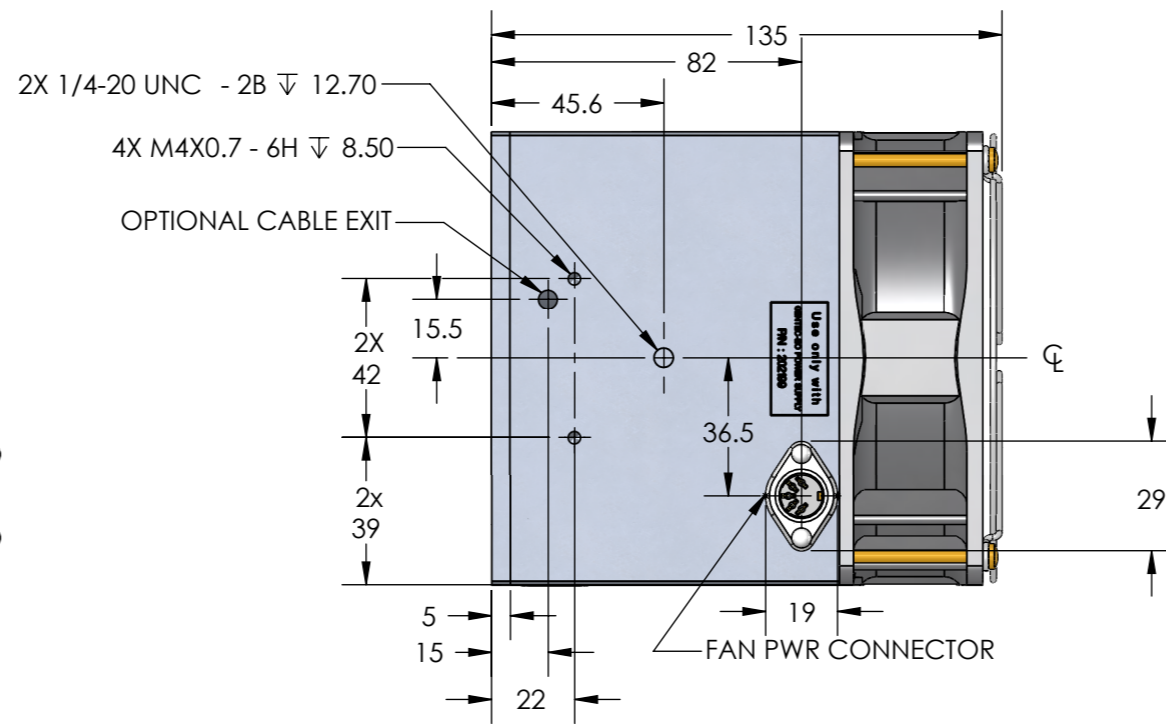


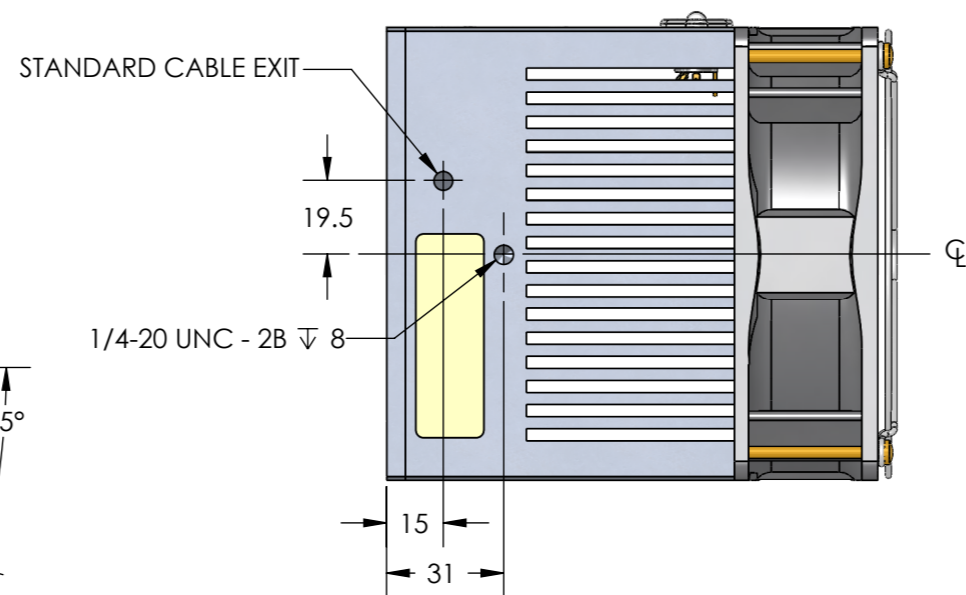
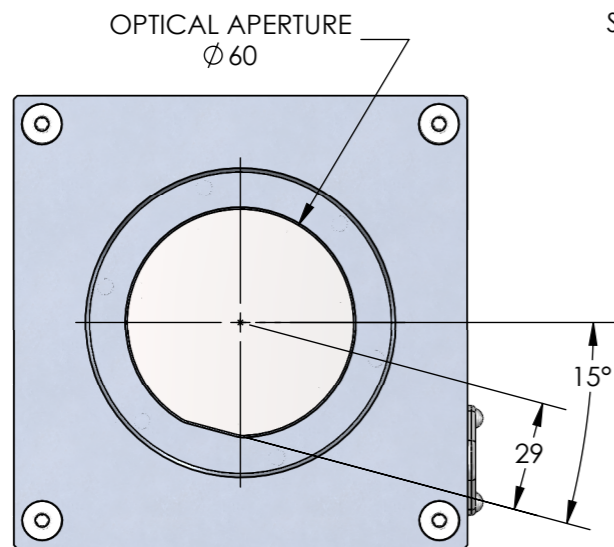
**FRONT VIEW, UP55G**



**UP55/60G**

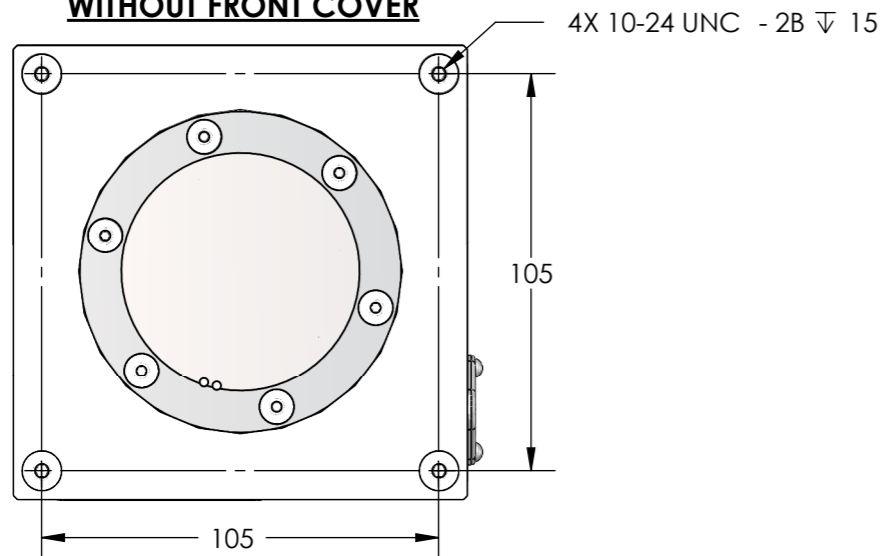


**FRONT VIEW, UP60G**

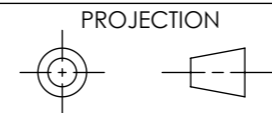


NOTES:  
1- DIMENSIONS IN mm

**UP55/60G ASSEMBLY WITHOUT FRONT COVER**



**IMPORTANT:**  
THIS DOCUMENT IS PROPERTY OF GENTEC ELECTRO-OPTICS, IT CANNOT BE DISTRIBUTED, USED OR REPRODUCED IN WHOLE OR IN PART WITHOUT EXPRESS WRITTEN AUTHORIZATION



ST 2021/09/16

B	UPDATED	2021/09/16	ST	RVH	APP
A	UPDATED	09/11/17	RVH		
REF.	REVISION	DATE	VER	APP	
TOLERANCE					
DEC.	±				
FRAC.	±				
ANGLE	±	LAYOUT DRAWING			
APP.		UP55/60G			
VER.		SK-8701			
DATE	23/01/2008	A3			
	1:2				