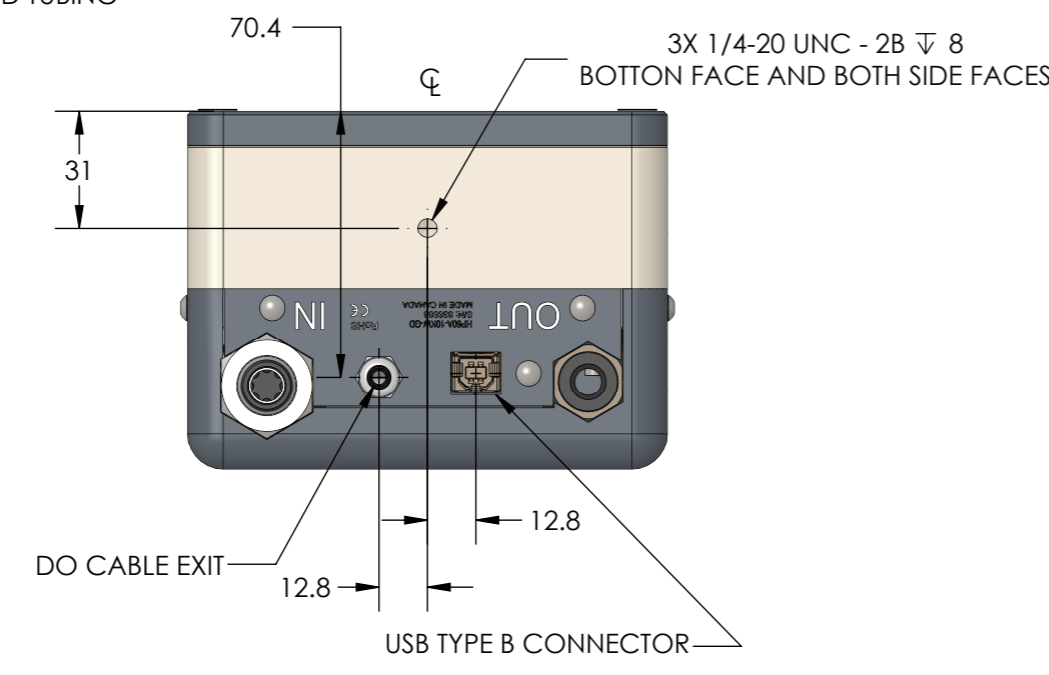


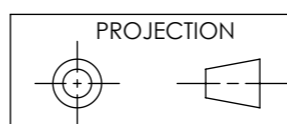
PUSH TO CONNECT FITTINGS FOR $\varnothing 0.375$ " [9.53mm] OD TUBING



NOTE: DIMENSIONS IN mm *ML* 2020-09-16 *RL* 2020-08-19

REF.	REVISION	DATE	VER	APP
D	UPDATE OF THE NEW GOLD CONE	2020/08/19	RL	<i>PJB</i>
C	LOGO VIEW ADDED	2019/09/16	SB	
B	METRIC FITTINGS VERSION ADDED	2019/07/22	SB	
A	M6X1 HOLE ADDED	2017/12/14	SB	

IMPORTANT:
THIS DOCUMENT IS PROPERTY OF GENTEC ELECTRO-OPTICS, IT CANNOT BE DISTRIBUTED, USED OR REPRODUCED IN WHOLE OR IN PART WITHOUT EXPRESS WRITTEN AUTHORIZATION



APP. _____
VER. _____
Ronald VH
DATE 2011/10/06
1:2

gentec-eo

LAYOUT DRAWING
HP60A-10KW-GD

SK-9204 **A3**