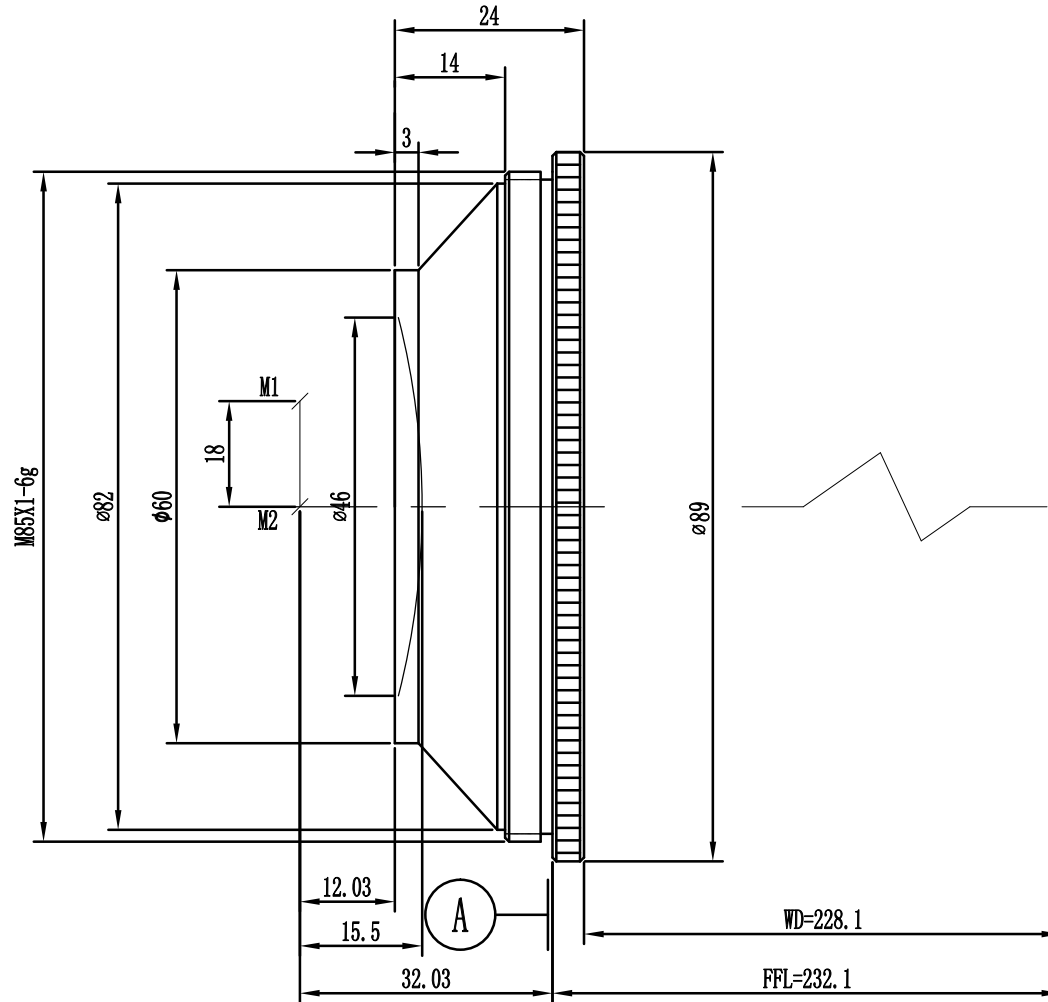
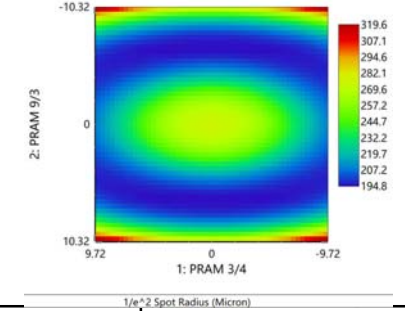


Focused back reflection distance from A:

43.03 , 65.03



REVISIONS			
REV	DATE	DESCRIPTION	APO
Specification			
Item NO.	SL1-10.6-175-250Z-LP		
Wavelength	10.6um		
EFL	250mm		
BFL	244.6mm		
WD	228.1mm		
Scan angle	±28°		
Scan length	246mm		
Scan field	175mmx175mm		
Input beam EP	11.8mm		
M1-M2	18mm		
M2-lens center	15.5mm		
M2-mount edge	12.03mm		
Center spot size(1/e2)	390um		
Edge spot size (1/e2)	640um		
Outer diameter	89 mm		
Thread	M85X1		
Total length	24mm		
With protective window	NO		
Transmission	>95%		
Series NO.			



PROPRIETARY AND CONFIDENTIAL THE INFORMATION CONTAINED IN THIS DRAWING IS THE SOLE PROPERTY OF WAVELENGTH TECHNOLOGY PTE.LTD. ANY REPRODUCTION IN PART OR AS A WHOLE WITHOUT THE WRITTEN PERMISSION OF WAVELENGTH TECHNOLOGY PTE.LTD. IS PROHIBITED.	TOLERANCES UNLESS SPECIFIED: 0.1	NAME	DATE	<b>WAVELENGTH</b> OPTO-ELECTRONIC(s)	REV. A	
	SURFACE: Black Anodize	DRAWN	ZKP			2019.2.14
	MATERIAL: AL	CHECKED			SL1-10.6-175-250Z-LP	SL058
	UNIT: mm					
	SCALE: 1:2					SHEET 1 OF 1